

W9CQO (3.940 13:00 Sun. Central)

WR9AAE (146.37/.97 20:00 Tues. Central)

## EXCELLENCY SEZ:

I resolve to -----. New Year brings many things to mind, mostly forgotten or broken resolutions from the previous year. New Year's resolutions are good therapy for several reasons. They bring into focus deficiencies, desires and dreams in our personal lives. Self re-examination is healthy for the spirit and family.

I would urge you to examine how hobbies fit into the lifestyle of family and community. Search out the deficiencies and give some thought to methods that would bring about improvements. Make clear your dreams and state your desires; saying it may not make it so, but if no one knows, no one can help.

1982 for Ozaukee Radio Club promises to be no different from any other year in recent memory . . . if that bothers you . . . well? Congratulations to the new officers, and condolences to the also-rans. ORC and its officers are going to be no better than the support given to them by the membership. There are several 'annual' activities sponsored by the club each year, and no one expects you to participate in them all. I expect that you will participate in some facet(s), or why pay for the price of admission?

Speaking of the price of admission - have you paid your dues? The ORC roster is being readied for publication. If you wish to be listed, get your monies to the Treasurer before the February meeting. Repeater codes will be changed sometime in February so there is added incentive. 911 will remain open to the public. Post Party is for Club members and guests only. Enough selling . . . send your check to: P.O. Box 13, Port Washington, Wis. 53074 today . . . if you've already sent yours then never mind!

This will be my last issue as 'El Presidentia,' my sincere thanks to those who made life easier for me this past year, especially my crew of officers, Mike Behlen, Ed Rate (past editor), and Joe Bauer (secretary extraordinary), and Skip Douglas. My heart felt appreciation to Barry Anderson, Ralph Evans, Jeff Klopp and Dick Hugi for their support, advice and participation.

Now for the bad news - I will be back next month as newsletter editor . . . so keep those cards & letters coming.

Seventy-three

TABerg WA9AWO

## FOR SALE DEPARTMENT

Robot Slo-Scan Camera & Monitor Complete System - \$290 or best offer; 12vdc to 900vdc Inverter - - \$20 ; Tilt-over Heights 70 foot tower with Classic 33 beam & HAM-M - make offer (available June 1982) CONTACT: WA9UDZ

Ampex 2" reel-to-reel videotape deck & Camera - Make Offer : WA9UPE

Kenwood TS-520 W/D.C. Supply & Xtal Filters - \$400.00 : Rick Bluedorn 277-8456

Measurements TU-576 Signal Generator - Make Offer : WB9YDX

-----  
W9CQO (3.940 13:00 Sun. Central)WR9AAE (146.37/.97 20:00 Tues. Central)  
-----

How to change from Radians to Degrees:

Z = 45/ATN(1)

Multiply all answers in Radians by Z

Conversely, Divide Angles in Degrees by

Z to obtain Radians  
-----AGENDA FOR JANUARY 13, 1982 Club Meeting  
-----

Repeater Meeting: 6:30 P.M.

Call to Order: 7:30 P.M.

Introduction; Secretary's Report; Treasurer's Report

Old Business:

Capitol Court Project

Post Party

Swapfest

New Business:

ELECTION OF 1982 OFFICERSPayment of 1982 Dues

Any other proper business

Adjournment: 8:30 P.M.

PROGRAM: Advanced Repeater Design Using Microprocessors (with slide show) by Ed (AA9W) [25 minutes]. Refreshments courtesy of W9DQS.

ACKNOWLEDGEMENTS (UPGRADE DEPARTMENT):

Stan Kaplan to ADVANCED

Gary Sharb to ADVANCED

Ron Boesch to TECHNICIAN

Terry Berg to 2nd Class RADIOTELEPHONE

BITS AND PIECES from the W5YI Newsletter:

An automatic radio direction finding system is being developed by N5AUX and WB5WSN for the Dallas/Fort Worth area to clean up the two meter band. It will use four remotely controlled Doppler type RDF units strategically located so as to track down a signal of one watt at a distance of 60 miles under line-of-sight conditions. How about a similar scheme for WR9AAE to finally pin down our own "kerchunker?" For info write: METROPLEX RDF PROJECT, P.O. BOX 14193, ARLINGTON, TEXAS 76013.

Radio Netherlands will broadcast a "sunrise/sunset" computer program for the Sinclair ZX-81, TRS-80 Model 1 Level II, and PET cassette input formats on 6165 and 9590 KHz. at 21:50 CDT on Thursday, January 28th, 1982. The program will be repeated on 00:50 CDT January 29th on 6165 and 9715 KHz. How about a couple of us radio/computer buffs writing to them to ask for a Rs-232 modem format broadcast, which would be much more reliable and compatible with virtually any computer? Address: Radio Netherlands, Jonathan Marks Producer, Media Network/English Section, P.O. Box 222, Hilversum, Holland.

W9CQO (3.940 13:00 Sun. Central)

WR9AAE (146.37/.97 20:00 Tues. Central)

## RALPHIE's TELECOMPUTING CORNER [Mr. Wizard of OZRAD]

One of the tasks which crops up frequently when entering call letters into a computer program (i.e. for Sweepstakes, Field Day, or What-have-you) is a verification routine, which will determine whether the data entered represents a valid call. This routine must be very fast, since it will be called frequently, and must, so far as possible, be able to ferret out all occurrences of misspellings, transpositions, erroneous inclusions, and just plain jamming-of-the-fingers-between-the-keys. In addition, it would be nice if the routine would delete leading and trailing blanks (so that proper comparisons can be made for "dupe-ing," and would assign a variable to the "call area" for possible use by other subroutines (it should also not be fooled by "slash-portable" entries). Following is my candidate for the fastest, most inclusive verification routine -- please contact WA9UDZ if you have one which is superior:

```

531 HTAB 5:INPUT "ENTER CALL TO BE VERIFIED";X$
540 IF RIGHT$(X$,1)=" " THEN X$=LEFT$(X$,LEN(X$)-1):GOTO 540
550 IF LEN(X$) [less than] 4 THEN 670
560 X=0:Q=0:W=ASC(MID$(X$,LEN(X$))):IF W [less than] 48 OR
    W [greater than] 57 THEN 600
570 Q=VAL(CHR$(W)):FOR I=LEN(X$)-3 TO LEN(X$)-1:IF
    MID$(X$,I,1)="/" THEN X$=LEFT$(X$,I-1):GOTO 630
580 NEXT I
590 GOTO 640
600 FOR I=2 TO 3:T$=MID$(X$,I,1):IF ASC(T$) [greater than]
    47 AND ASC(T$) [less than] 58 THEN Q=VAL(T$):GOTO 630
610 NEXT I
620 GOTO 670
630 T$=LEFT$(X$,1):IF T$#"W" AND T$#"K" AND T$#"N" AND
    T$#"A" AND T$#"V" THEN 670:REM '#' is 'NOT EQUAL TO'
640 Y=0:FOR I=2 TO LEN(X$):IF ASC(MID$(X$,I,1)) [greater
    than] 64 THEN Y=Y+1
650 NEXT I
660 IF Y=LEN(X$)-2 AND Y [greater than] 1 AND Y [less than] 5 THEN 680
670 X=1:Q=10:REM SET FLAG X TO 1 - BAD CALL
680 IF X=1 THEN VTAB 13:INVERSE:FLASH:PRINT CHR$(7);CHR$(7)
    ;"VERIFY ACCURACY":NORMAL:VTAB 16:GOTO 531
690 PRINT "CALL IS O.K.":GOTO 531

```

I should note that this routine will cause an entry to 'fail' (i.e. the flag will be set to 1) if a call is specified outside of the United States and Canada. If you wish to be able to enter other foreign calls, add all prefixes to be permitted to line # 630. A '0' entry for Flag 'X' denotes a proper call, and the variable 'Q' contains the call area of the entry (but contains a "10" if the call is illegal). This program was written for the APPLE, but is readily adaptable to other computers.

HINTS AND KINKS DEPARTMENT:

How to get Pi to the accuracy limit of your computer:

$$\text{Pi} = 4 * \text{ATN}(1)$$

Arctangent must be in Radians

-----  
W9CQO (3.940 13:00 Sun. Central)

WR9AAE (146.37/.97 20:00 Tues. Central)

## MINUTES OF THE 9 DECEMBER 1981 MEETING

Repeater Meeting opened by KA9DDN at 7:12 PM. After a brief financial report, Skip gave an update on the repeater improvement project. From the WAR (Wisconsin Association of Repeaters) Newsletter, we find that they will distribute our SWAPFEST flyers for a cost of \$10.00, if we supply the flyers to them. As of this writing, the 911 repeater phone patch is not yet operational. The annual West Allis RC swapfest will be at Waukesha Expo, on January 9th 1982. Repeater meeting terminated at 7:26 PM.

Regular club meeting opened at 7:34 PM with WA9AWO presiding. Motion made and seconded to accept the agenda for the meeting. Motion carried. Minutes of the November meeting were accepted as presented in the Newsletter, as was the treasurer's report.

December Treasurer's report by WD9FQW: Receipts: \$43.60 for 6 TIW, \$3.00 from the monthly drawing, \$31.00 for 1982 dues, \$3.00 for 4 patches, and \$18.50 from the Refreshment Kitty for a total of \$99.00. Disbursements: \$21.77 for refreshments, \$21.34 for Newsletter and film strip expenses, \$125.00 for rent of the Circle B swapfest site, for a total of \$168.11. Cash Flow is minus \$69.11. Checking account balance is \$126.03, and the savings account balance is \$1,431.41. Cash on hand is \$13.00, plus 89 patches and 4 TIW for a total of \$1,664.46. Moved and seconded to accept Treasurer's report. Motion carried. (Editor's note -- my math shows a 10¢ discrepancy in the Treasurer's report).

OLD BUSINESS: Slate of office candidates is presented in the newsletter, reviewed by the chair in the absence of a nominating committee chairman. The chair requested additional nominations which could appear in the January Newsletter; none were made. Only those who have paid their dues for 1982 will be eligible to vote in the January election.

Sweepstakes: WA9AWO delivered a semifinal report on the claimed scores plus related comments.

Novice Class: WA9UVK reports 2 new candidates. No information as to change of class dates.

Advancement Class: W9WQ reports that the class location has been changed to his QTH, meeting on Tuesdays while OZRAD meetings continue to be on Wednesday Eve's.

Swapfest: WB9SFK reports that the circle B has been reserved for May 8th; the result will be more tables and less work for club members since Circle B will set up the tables and handle the food/drink activities. Barry distributed preliminary copies of the flyer for comments. We must vacate the premises by 2:00 PM due to a wedding party. After a prolonged discussion, it was moved and seconded to make \$200.00 available for additional swapfest expenses (flyer preparation/distribution, etc.). Motion carried.

Post Party: WB9PAS reports that the date will be Feb. 27th at the D & G Club in Port Washington. There will be four menu choices, and reservation slips are to appear in the January Newsletter. The sooner the better on reservations; make checks payable to the D & G Club, but send them to WB9PAS at his home in Port Washington. Moved & Seconded to appropriate

W9CQO (3.940 13:00 Sun. Central)

WR9AAE (146.37/.97 20:00 Tues. Central)

\$600.00 for prizes and gifts for the Post Party. Motion carried. Also moved by WB9SFK that the repeater tower light-bulb changers be given a free ride at the party. Seconded by WA9JMS; motion carried.

Capitol Court: WB9PAS reports (NHE) dates January 16/17. Security room available for equipment storage. Message format discussed.

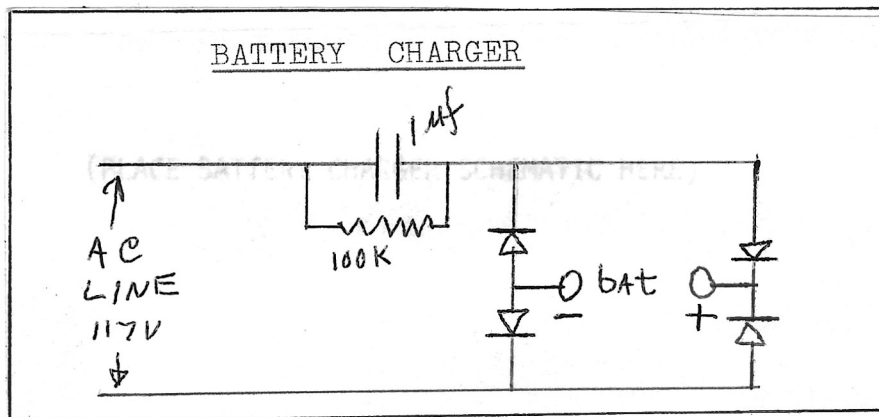
WA9AWO calls attention to new FCC Identification Rules (Each party to a QSO need only identify his OWN station unless third party traffic is involved - text in Dec. QST - Ed.).

W9VQD proposed a standing recognition of Ed Rate, AA9W, for his newsletter efforts this past year. WA9USA solicits new RACES members, also mentions "junk" available for taking in emergency government room. KA9DDN proposes letter of thanks to WA9UDZ for the use of his phone patch gear which was used at the repeater site for some time. Motion made, seconded, and carried (Received, tnx - Ree). WA9UVK reports on visit to W9FY in Columbia Hospital. He has a fifth floor room facing north so he can be reached on the repeater. Resolved that the Secretary send him a get-well card. Motion for adjournment made, seconded, and carried; adjourned 8:33 PM.

Joe Bauer - W9WQ, Secretary

SCHEMATIC OF THE MONTH by W9WQ

Picked this one up in browsing thru back issues of QST. Its a constant-current battery charging idea proposed by AE9G in February 1980 QST on Page 33. As can be seen from the schematic, it is quite simple. The use of the capacitor makes it quite efficient. The ONE MICROFARAD shown is about right for the 40 mil rate for AA NICADS; other rates can be had with larger or smaller capacitors. Diode PIV should be 200 volts or better. Also, disconnect charger from the line when inserting or removing battery.



# Ozaukee Radio Club *serious news*



## **ATTENTION ALL MEMBERS!**

The **POST EVERYTHING PARTY** will be held **February 27th.** at the **D&G CLUB** in Port Washington. **HAPPY HOUR:** 6 to 7:00 pm; **DINNER:** 7:00 pm, followed by our usual program.

Please fill out the Registration Form below and return it with your payment to Russ Schreiner, 415 W. Barry Avenue; Port Washington, WI 53074 - no later than Feb. 22nd. Make your checks payable to the D&G Club. Price includes tax & gratuity.

**Note:** Only paid-up members will be eligible for club purchased door prizes.

• **Please remember to bring your Grab Bags** •

### **Post Christmas/Post Everything Party Registration Form**

Name \_\_\_\_\_ Call \_\_\_\_\_ Number of Persons Attending \_\_\_\_\_

Please mark your number of choices:

\_\_\_\_\_ Filet @ \$8.50

\_\_\_\_\_ Lobster @ \$15.50

\_\_\_\_\_ B.B.Q. Ribs @ \$9.00

\_\_\_\_\_ Surf & Turf @ \$15.50

THE OZAUKEE RADIO CLUB, INC. presents its FOURTH ANNUAL

# SWAPFEST

Saturday, May 8th, 1982

8 am to 1 pm sharp

CIRCLE B RECREATION CENTER  
6261 HWY 60  
CEDARBURG, WISCONSIN

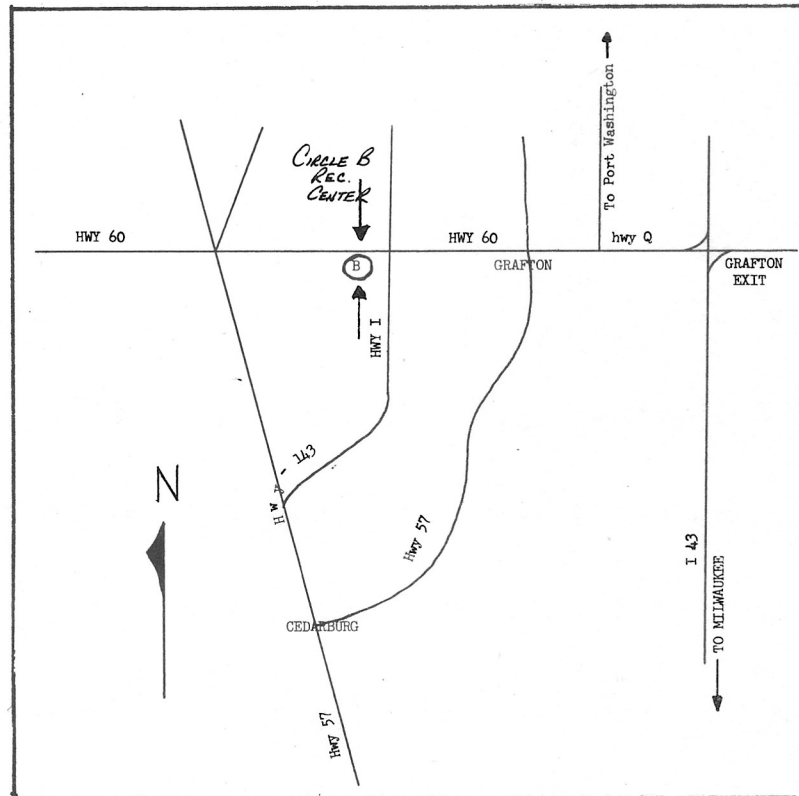
NEW, LARGER  
LOCATION



PRIZES      FOOD      REFRESHMENTS

TALK IN **146.37/97** AND **146.52**

- ★ LARGER FACILITIES
- ★ ACRES OF FREE PARKING
- ★ FREE 2 METER FM CLINIC
- ★ COMMERCIAL EXHIBITORS
- ★ BRING THE FAMILY
- ★ ADMISSION: \$2.00 advance  
\$3.00 at the door
- ★ RESERVED TABLES: 8 feet - \$3.00  
4 feet - \$2.00
- ★ DOORS OPEN AT:  
7:00 am - Table Set Up  
8:00 am - General Admission



Advance Registration Form: Please send the following tickets -

- \_\_\_\_\_ admission tickets @ \$2.00
- \_\_\_\_\_ 8 foot table reservations @ \$3.00
- \_\_\_\_\_ 4 foot table reservations @ \$2.00

SASE APPRECIATED

SASE APPRECIATED

NAME: \_\_\_\_\_ CALL: \_\_\_\_\_ PHONE: \_\_\_\_\_

ADDRESS: \_\_\_\_\_

CITY: \_\_\_\_\_ STATE: \_\_\_\_\_ ZIP: \_\_\_\_\_

RETURN TO: OZAUKEE RADIO CLUB, PO Box 13, Port Washington, WI 53074